

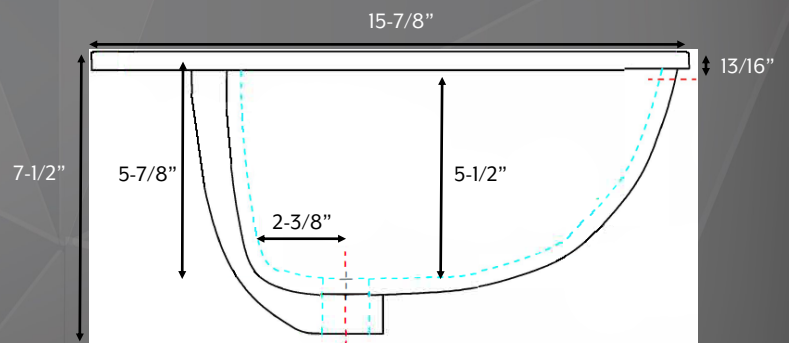
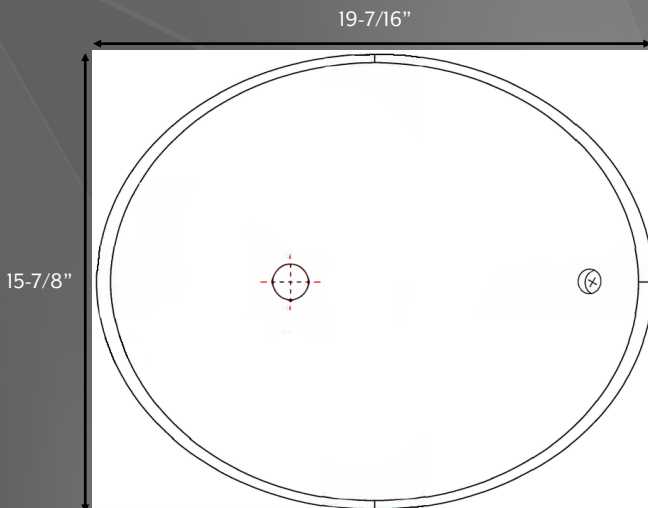
UNDERMOUNT OVAL SINK

2002

MSTONE™
a part of MGROUP™

TECHNICAL SPECIFICATIONS

OUTSIDE DIMENSIONS:	19-7/16" W x 15-7/8" D x 7-1/2" H
MATERIAL:	VITREOUS CHINA
WASTE FITTING:	1-1/4"
INSTALLATION:	UNDERMOUNT
OVERFLOW:	INCLUDED, INTEGRAL
SINK CLIPS:	INCLUDED, COORDINATED WITH MSTONE™ MOUNTING SYSTEM
COMPLIANCE:	MEETS ASME A112.19.2/CSA B45.1
WARRANTY:	ONE-YEAR LIMITED
COLOR:	SEE INTERIOR FINISH INDEX



NOTES:

- DIMENSIONS CAN VARY +/- 1/8"

REV. DATE: 02/2025

O: 706.350.4300 | INFO@MGROUPECORP.COM | WWW.MGROUPECORP.COM

MGROUP™

