

UNDERMOUNT RECTANGULAR SINK

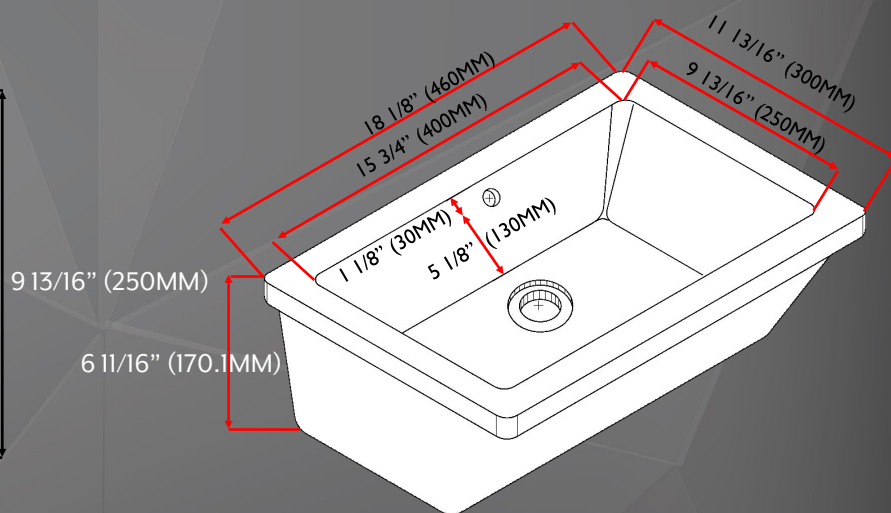
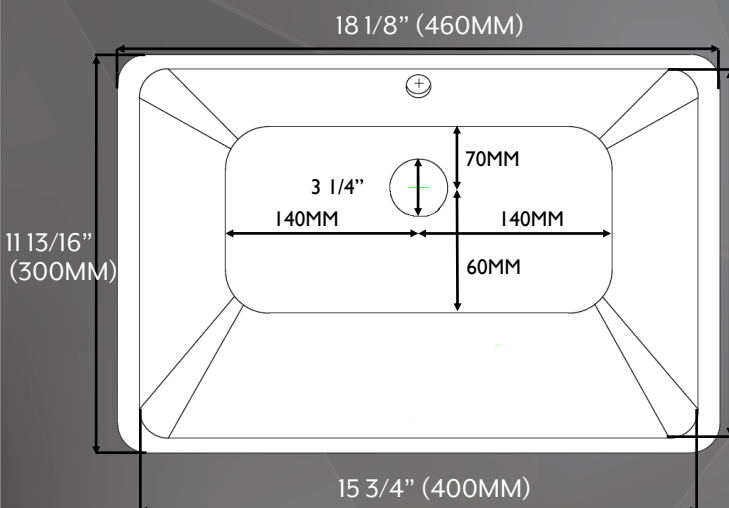
2004XX

MSTONE™

a part of MGROUP™

TECHNICAL SPECIFICATIONS

OUTSIDE DIMENSIONS:	18.11"W x 12"D x 6.69"H
MATERIAL:	VITREOUS CHINA
WASTE FITING:	1 11/16"
INSTALLATION:	UNDERMOUNT
OVERFLOW:	INCLUDED, INTEGRAL
SINK CLIPS:	INCLUDED, COORDINATED WITH MSTONE™ MOUNTING SYSTEM
COMPLIANCE:	MEETS ASME A112.19.2/CSA B45.1
WARRANTY:	ONE-YEAR LIMITED
COLORS:	SEE INTERIOR FINISH INDEX



NOTES:

- DIMENSIONS CAN VARY +/- 1/8"

MGROUP™

REV. DATE - 02/2025

O: 706.350.4300 | INFO@MGROUPCORP.COM | WWW.MGROUPCORP.COM

