

# FLUSH MOUNT RECTANGULAR SINK

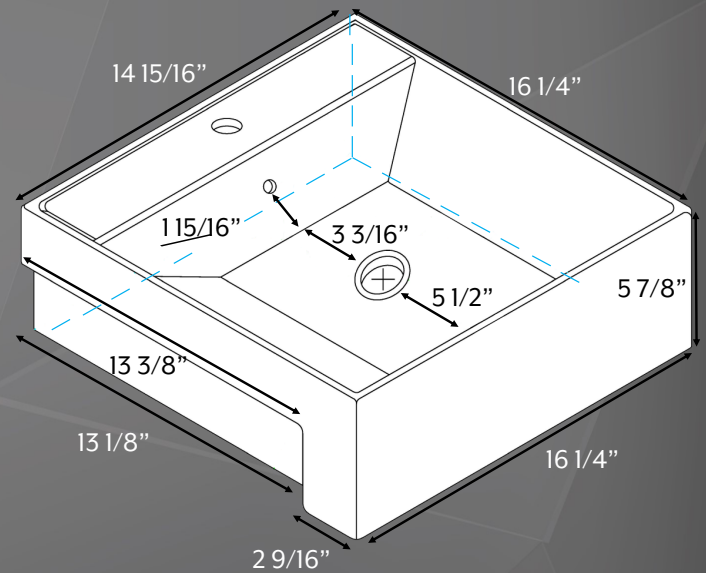
726A

**MSTONE™**  
a part of MGROUP™

## TECHNICAL SPECIFICATIONS

OUTSIDE DIMENSIONS: FRONT TO BACK : 16 1/4"  
SIDE TO SIDE : 16 1/4"

MATERIAL: VITREOUS CHINA  
WASTE FITTING: 1 1/4"  
INSTALLATION: FLUSH MOUNT  
OVERFLOW: INCLUDED, INTEGRAL  
SINK CLIPS: INCLUDED, COORDINATED WITH  
MSTONE™ MOUNTING SYSTEM  
COMPLIANCE: MEETS ASME A112.19.2/CSA B45.1  
WARRANTY: ONE-YEAR LIMITED  
COLORS: SEE INTERIOR FINISH INDEX



### NOTES:

- DIMENSIONS CAN VARY +/- 1/8"