

Thank you for choosing our shower enclosure. Before installing, please read these instructions carefully and check if all accessories are available and if any damage occurred during shipping.

For any questions, please contact us directly.



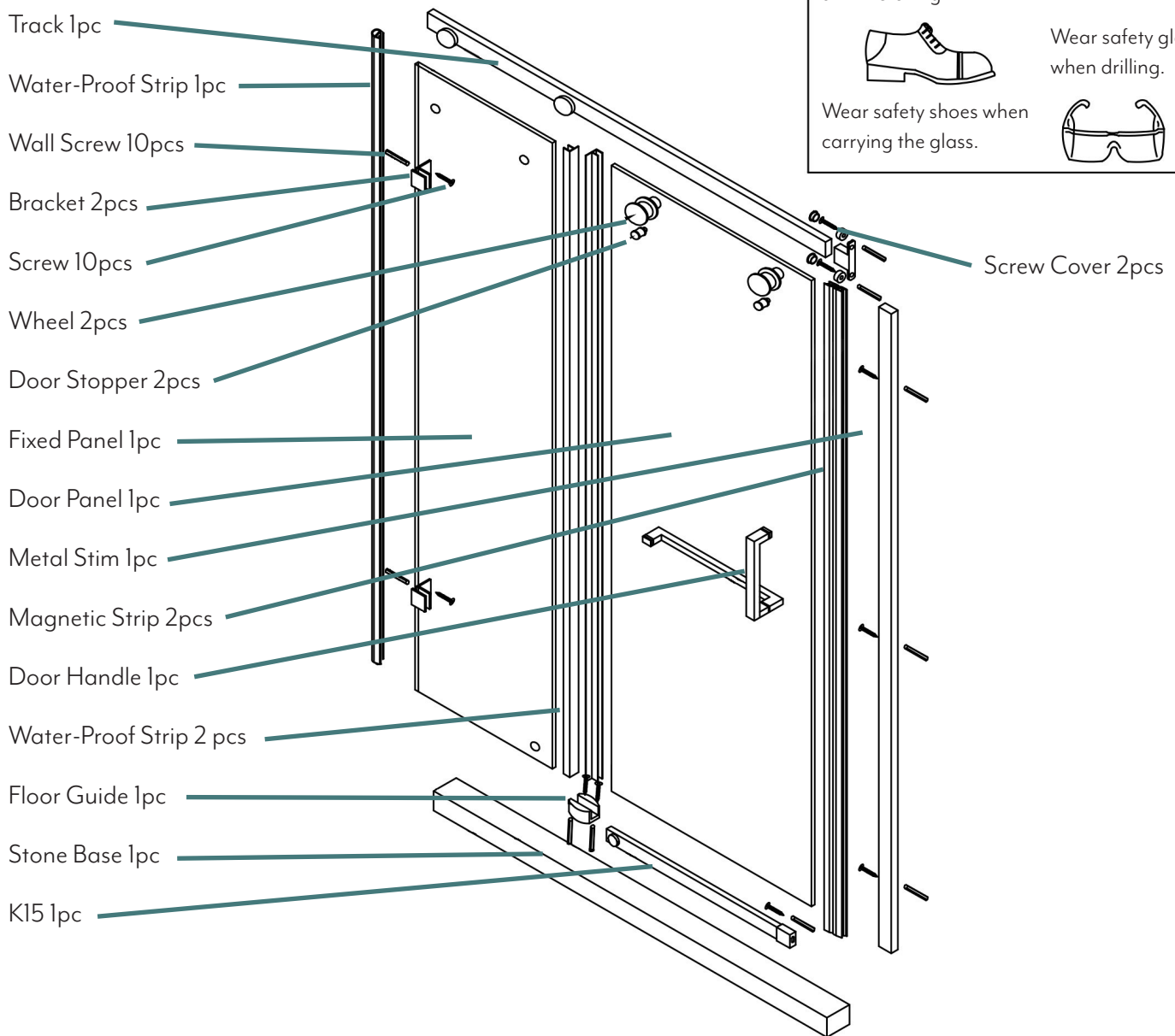
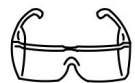
### SAFETY ISSUES

Glass is fragile, handle carefully and avoid hitting rigid objects. Place the glass against the wall in gradient with a soft underlay beneath. We strongly suggest a two-man carry when moving. Do not take off the angle protection until installing.



Wear safety shoes when carrying the glass.

Wear safety glasses when drilling.



1

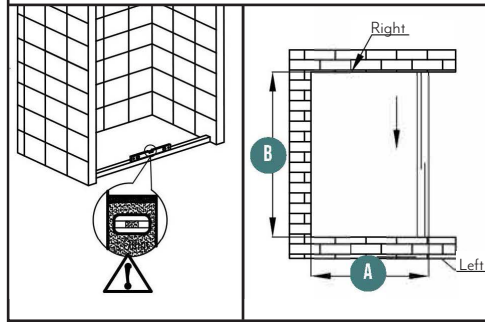
## PRECAUTIONS

1. Clean the work stations and keep the floor dry.
2. To keep the floor dry during installation, do not turn on the faucet.
3. Glass is fragile, so make sure it will not hit any rigid object when installing. Place the glass against the wall in gradient with a soft underlay below.
4. Before drilling, check and make sure no electrical wire or water pipes are hidden in the wall.
5. After installation, collect all of the tools and clean the work station.

2

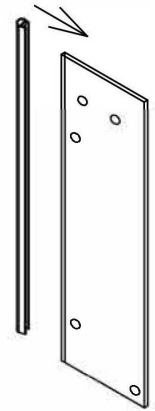
## INSTALLATION & ADJUSTING

1. Place the stone base in the right position.
2. Check the stone base by plano meter, adjusting the stone horizontal level by increasing gasket or repairing the stone base.



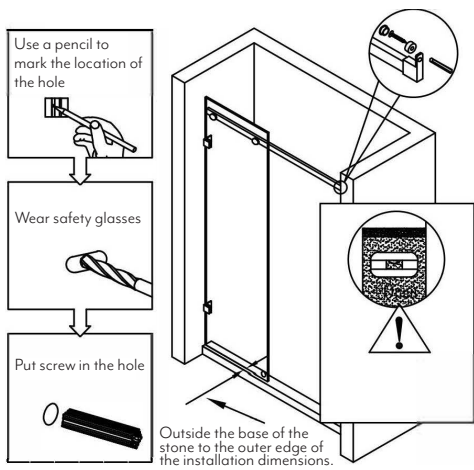
3

307A strips were stuck in two pieces of solid glass.



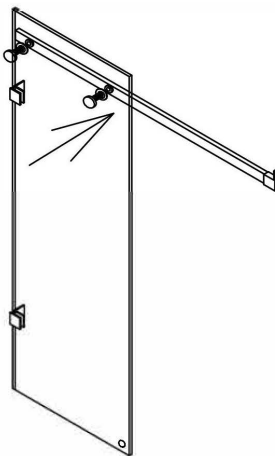
6

Mockup the shower door with the track and glass to determine the location of the mounting brackets. Ensure the top track is level. Ensure there is at least 1/4" to 3/8" above the shower base curb.



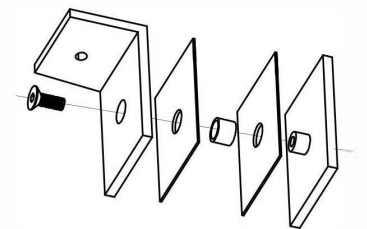
5

Install the stainless steel rails on the fixed glass.

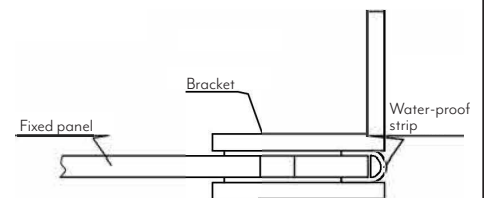


4

1. The assembly of the corner code.

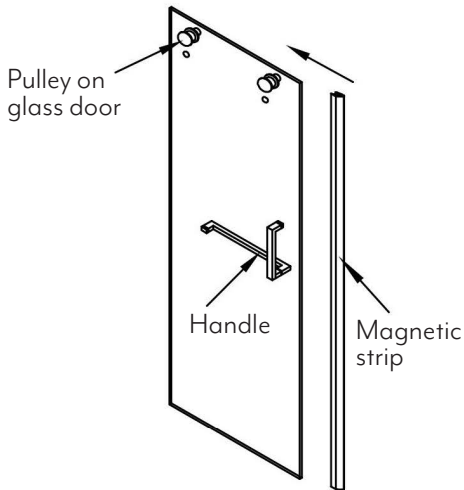


2. When the corner code is installed in the glass.



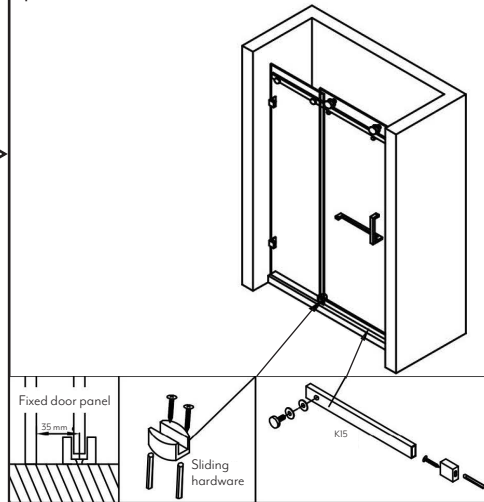
7

Install the handle, pulley, and magnetic strip on the movable glass.



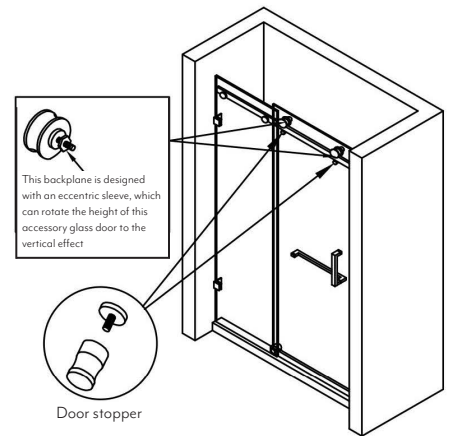
8

Install the floor guides and water proofing strip. The water proofing string installs on the outermost edge of the shower curb as possible. Properly waterproof any penetrations in the shower base.



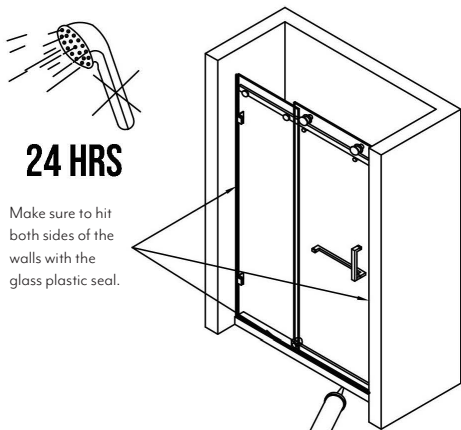
9

Hang the moveable glass onto the upper track and install two anti-jumpers on the moveable glass.



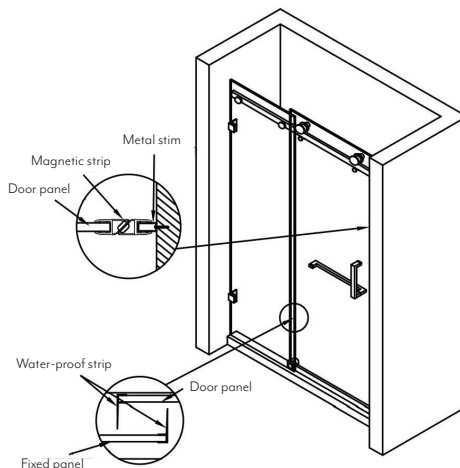
12

Waterproof along the frame and glass using clear or color matched 100% silicone. Allow to dry for at least 24 hours. Waterproof any penetrations in the shower walls or floor.



11

Install any provided urethane water proofing strips, including the wall strip and overlap flanges.



10

Install the magnetic strip sapwood.

