



# E262 SHOWER DOOR INSTALLATION INSTRUCTIONS

Thank you for choosing our shower enclosure. Before installing, please read these instructions carefully and check if all accessories are available and if any damage occurred during shipping.

For any questions, please contact us directly.



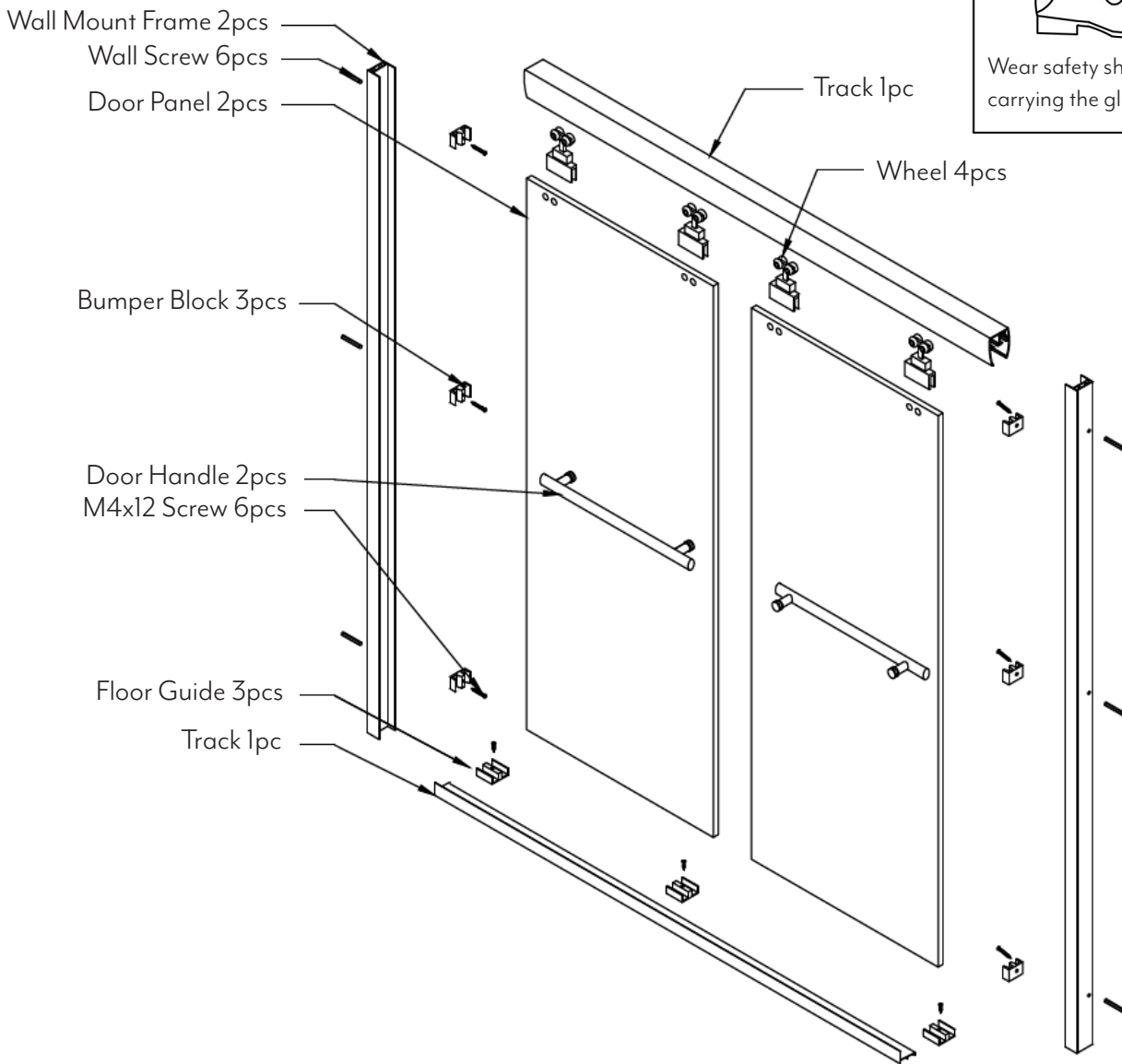
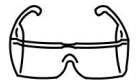
## SAFETY ISSUES

Glass is fragile, handle carefully and avoid hitting rigid objects. Place the glass against the wall in gradient with a soft underlay beneath. We strongly suggest a two-man carry when moving. Do not take off the angle protection until installing.



Wear safety glasses when drilling.

Wear safety shoes when carrying the glass.



1

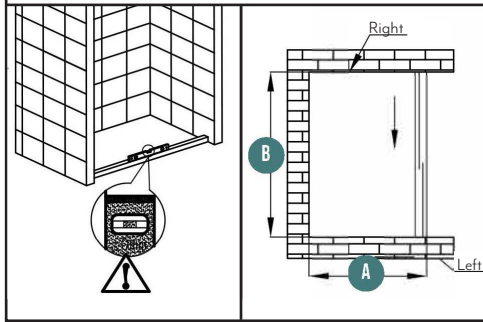
## PRECAUTIONS

1. Clean the work stations and keep the floor dry.
2. To keep the floor dry during installation, do not turn on the faucet.
3. Glass is fragile, so make sure it will not hit any rigid object when installing. Place the glass against the wall in gradient with a soft underlay below.
4. Before drilling, check and make sure no electrical wire or water pipes are hidden in the wall.
5. After installation, collect all of the tools and clean the work station.

2

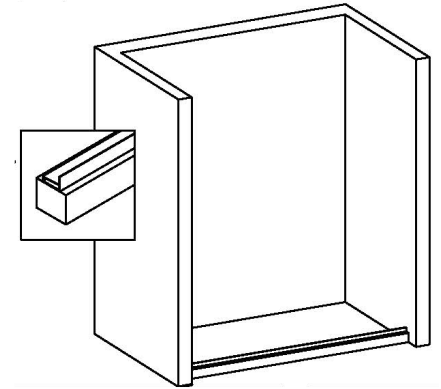
## INSTALLATION & ADJUSTING

1. Place the stone base in the right position.
2. Check the stone base by plano meter, adjusting the stone horizontal level by increasing gasket or repairing the stone base.



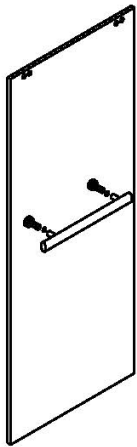
3

Install the lower track, then place the lower rail in the middle of the stone base.



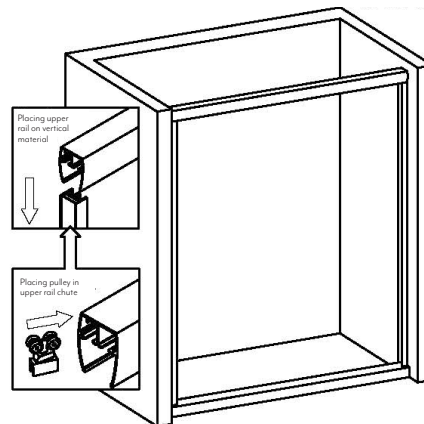
6

Install the handle on the glass.



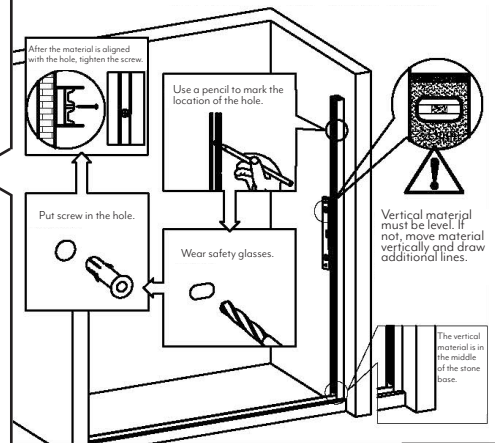
5

Install the top track, first on the end of the rail card in the vertical material, then put the pulley into the upper rail chute, and lastly the other end of the card in the vertical material.



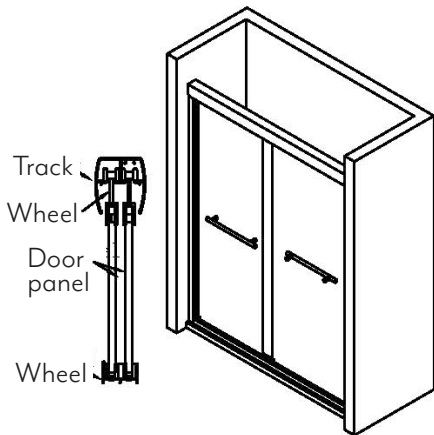
4

Install the wall mount frame.



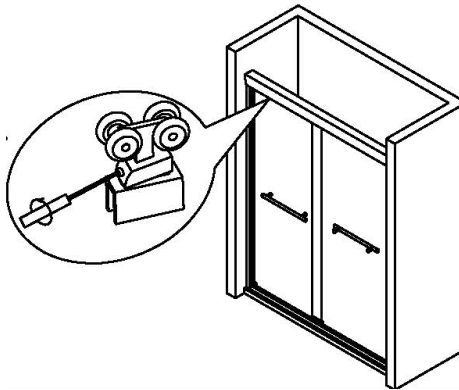
7

Remove the top track. Install the glass on the trolley tracks. Insert the trolley into the overhead track. Place the overhead track on the frame.



8

Adjust the trolley as needed to level or raise/lower the glass.



9

Ensure smooth operation of the sliding action. Seal all joints and corners with 100% silicone. Seal all penetrations in the shower wall and pan with 100% silicone or other waterproofing. Allow silicone to dry and cure for at least 24 hours before use.

Make sure to hit both sides of the walls with the glass plastic seal.



24hrs

