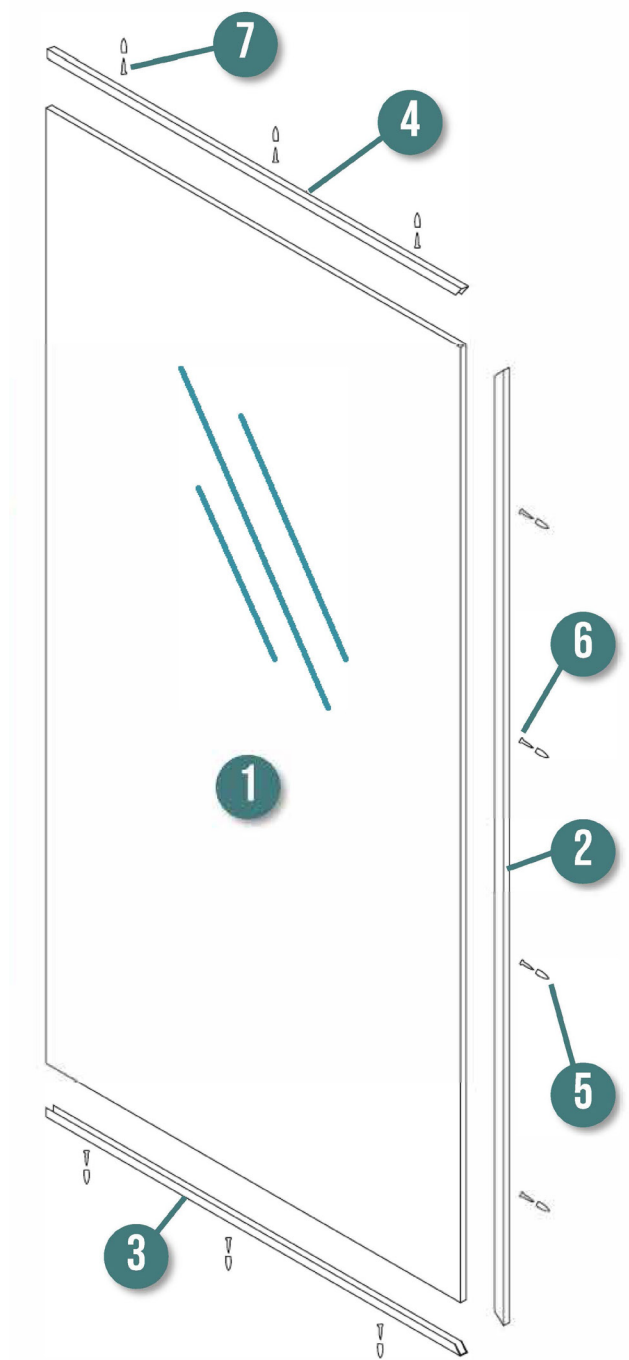


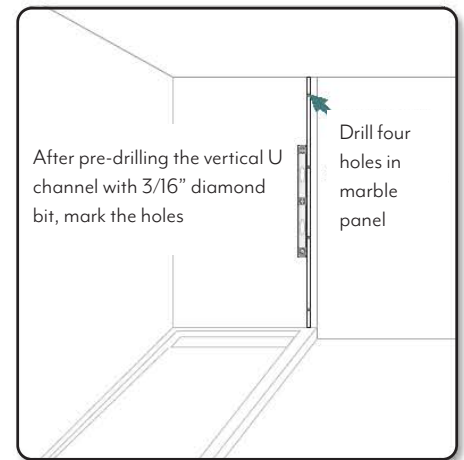
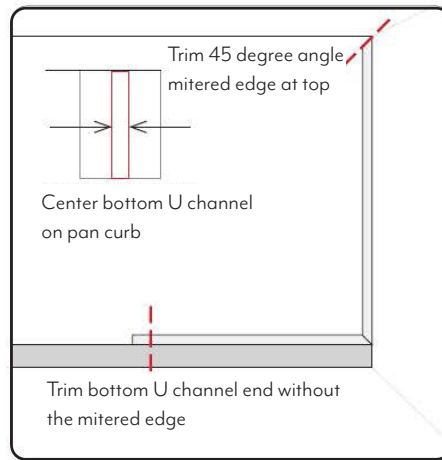
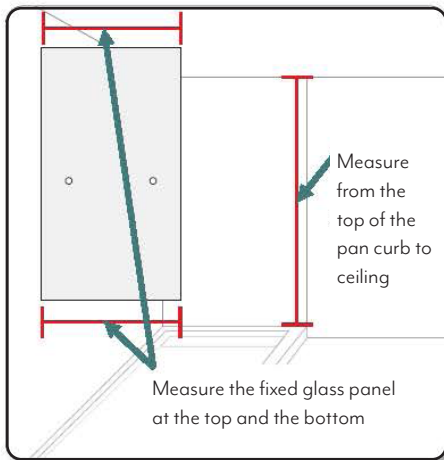
Shower Enclosure Parts List

Assembly Code	Assembly Name	Qty.
1	Fixed glass panel	1
2	Vertical U channel	1
3	Bottom U channel	1
4	Top U channel	1
5	3/16" Wall anchors	10
6 & 7	1 1/4" Flat head screws	10

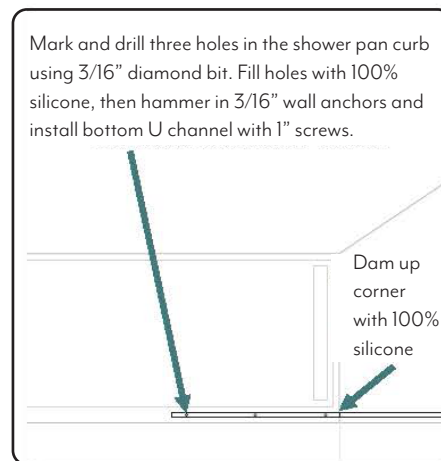
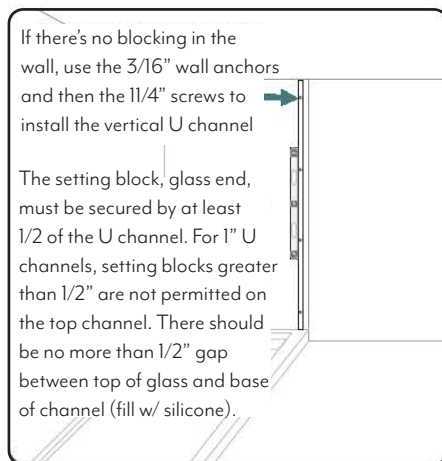


These instructions are to be followed assuming the shower pan is level, and the walls are plumb. After you have confirmed that all of the parts and pieces are present, you are ready to begin installing the fixed glass panel.

- Start by trimming the bottom U channel. Measure the bottom of the fixed glass panel. Trim this measurement off of the end of the bottom U channel that does not have the mitered, 45-degree angle. You will need to drill and countersink all of the necessary holes into the locations on the top and bottom U channels.

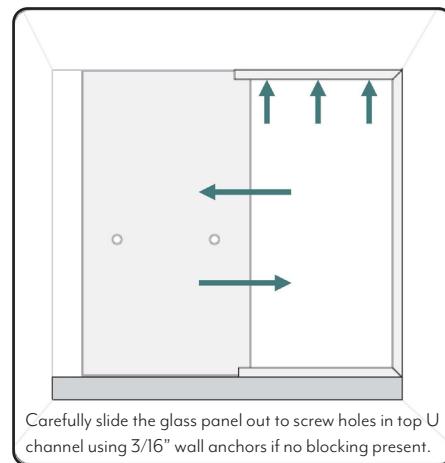
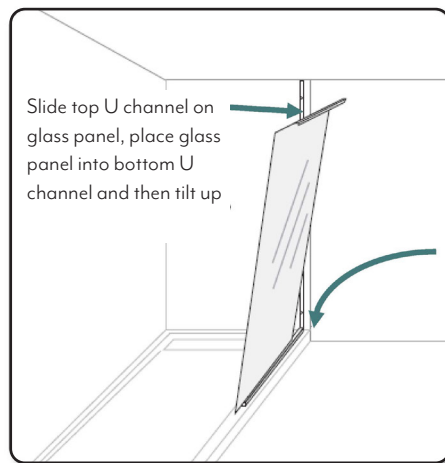


- Measure the top of the fixed glass panel. Trim the top U channel like the bottom U channel.
- Measure from the top of the pan curb to the ceiling. Trim the vertical U channel at a 45-degree angle at the top. Pre-drill and countersink four holes in the vertical U channel and mark the holes on the wall panel while holding the level and centered on the pan curb.
- Using the 3/16" diamond bit, drill holes in the marble wall panel large enough that the screws can pass through the panel without interference. If there is no blocking in the walls, hammer in the 3/16" wall anchors and install the vertical U channel.



FIXED PANEL SHOWER DOOR INSTALLATION INSTRUCTIONS

- After installing the vertical and bottom U channels and filling the corner with 100% silicone, mark the top U channel pre-drilled holes. Place clear setting blocks onto the top of the screws in the bottom U channel. Slide the top U channel onto the fixed glass panel and set the fixed glass panel into the bottom U channel. Tilt the glass panel upright and slide the glass panel out of the way to enable the top U channel to be screwed into place. Carefully slide the glass panel back into place and flush with the wall.



- Make any adjustments to align the glass panel back to be level and flush with the U channels and the wall panel using the setting blocks.
- The final steps are waterproofing the shower. Run a bead of 100% silicone inside of the shower where the U channels meet the wall panels and the pan curb.
- Finally, carefully run a bead of the silicone inside the shower where the fixed glass panel meets the U channels.

You have now completed the installation. Allow 24 hours before any moisture is applied.

