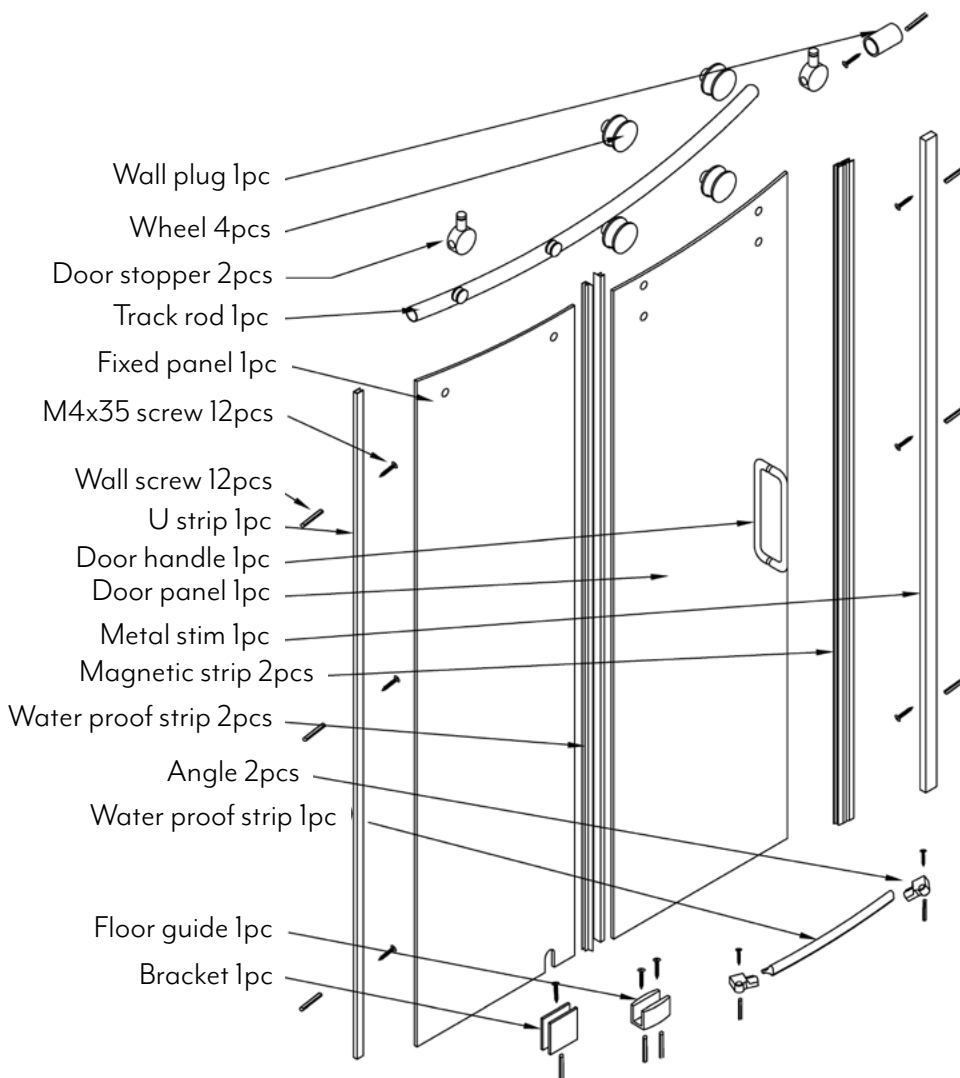




MGD1 CURVED SHOWER DOOR INSTALLATION INSTRUCTIONS

Thank you for choosing our shower enclosure. Before installing, please read these instructions carefully and check if all accessories are available and if any damage occurred during shipping.

For any questions, please contact us directly.



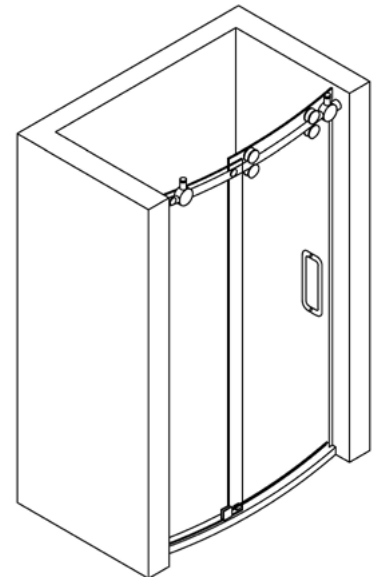
SAFETY ISSUES

Glass is fragile, handle carefully and avoid hitting rigid objects. Place the glass against the wall in gradient with a soft underlay beneath. We strongly suggest a two-man carry when moving. Do not take off the angle protection until installing.



Wear safety shoes when carrying the glass.

Wear safety glasses when drilling.



1

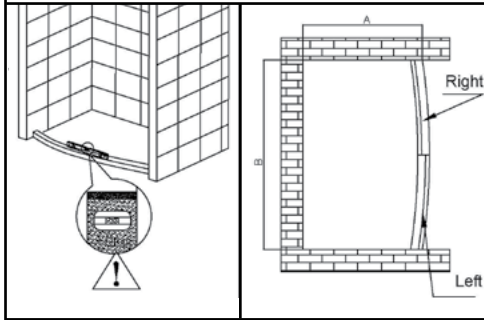
PRECAUTIONS

1. Clean the work stations and keep the floor dry.
2. To keep the floor dry during installation, do not turn on the faucet.
3. Glass is fragile, so make sure it will not hit any rigid object when installing. Place the glass against the wall in gradient with a soft underlay below.
4. Before drilling, check and make sure no electrical wire or water pipes are hidden in the wall.
5. After installation, collect all of the tools and clean the work station.

2

INSTALLATION & ADJUSTING

1. Place the stone base in the right position.
2. Check the stone base with a level, adjusting the stone horizontal level by increasing gasket or repairing the stone base.



3

Fix the fixed bracket on the fixed glass.



6

Use a pencil to mark the hole.

Wear safety glasses.

Put screw in hole.

Secure U strip with 4x35 screw.

Use a pencil to mark the hole.

Wear safety glasses.

Put screw in hole.

Secure fixing clip with 4x35 screw.

Note: After marking the hole, remove the fixed door, then drill the hole.

5

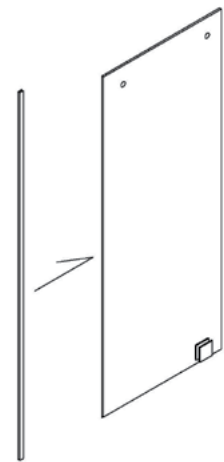
Fixed glass must be vertical and then mark it.

Mark bracket place.

Mark bracket place.

4

Put on the U strip.



7

Insert glass glue in the U strip from top to bottom.

8

Put the fixed panel in the U strip and fix the fixed panel in the fixed bracket.

9

Fix wall plug on two sides or track rod.

12

- Use a pencil to mark the hole.
- Wear safety glasses.
- Put screw in hole.
- Secure wall plug with screws.

11

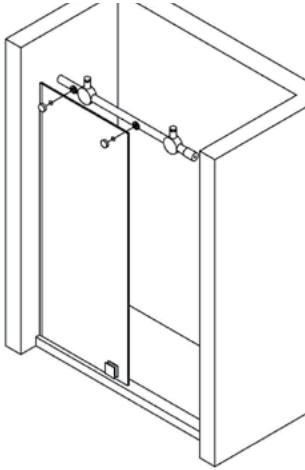
Mark the place for the wall plug and then remove the track rod.

10

Fix the track rod on the fixed panel.

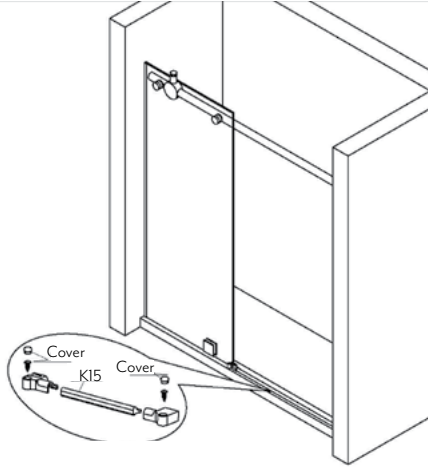
13

Fix the track rod with the wall plug and fixed glass panel.



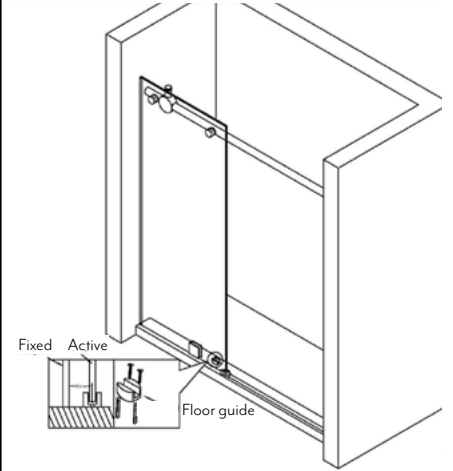
14

Install R angle and K15 under the active glass door.



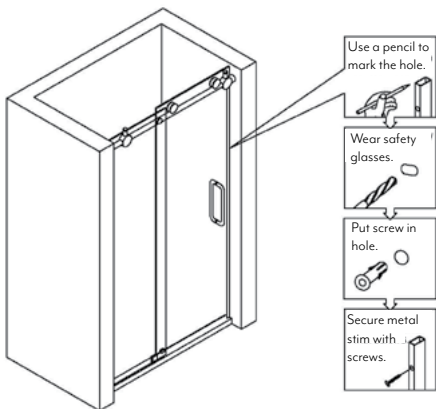
15

Install sliding hardware.



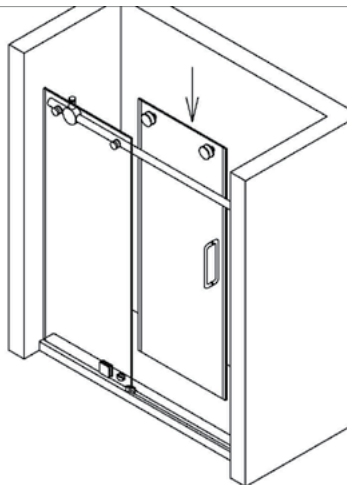
18

Install metal trim.



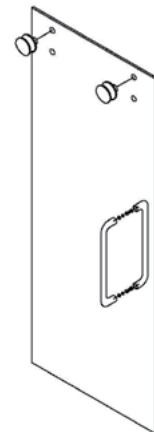
17

Lift the active glass panel and place into sliding hardware.



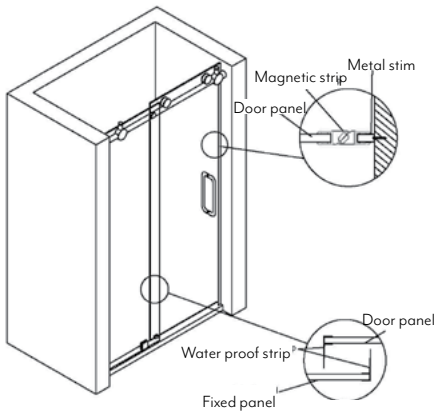
16

Install the wheel, handle, and waterproof strip on the active glass.



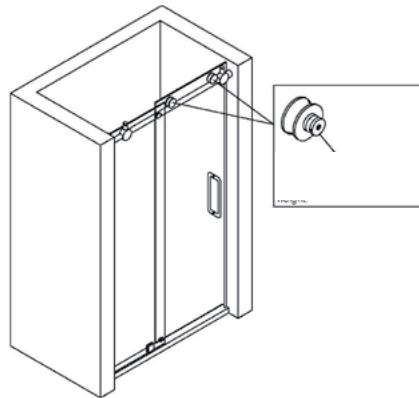
19

Install magnetic strip and water proof strip.



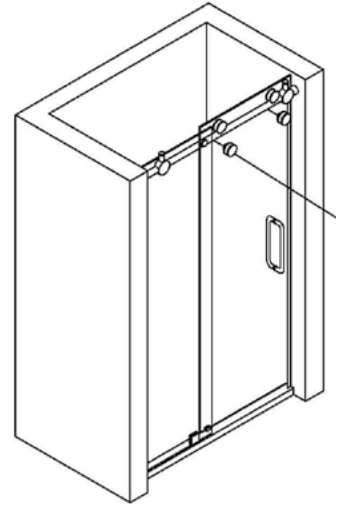
20

The back plate is designed with an offset sleeve, rotate it to adjust the glass door height.



21

Install the wheels on the active glass



22

NOTE: Periodically check and tighten all screws, nuts, wheels, and stoppers

After installation, seal any penetrations in the shower base or walls with 100% silicone. Let dry for 24 hours.

