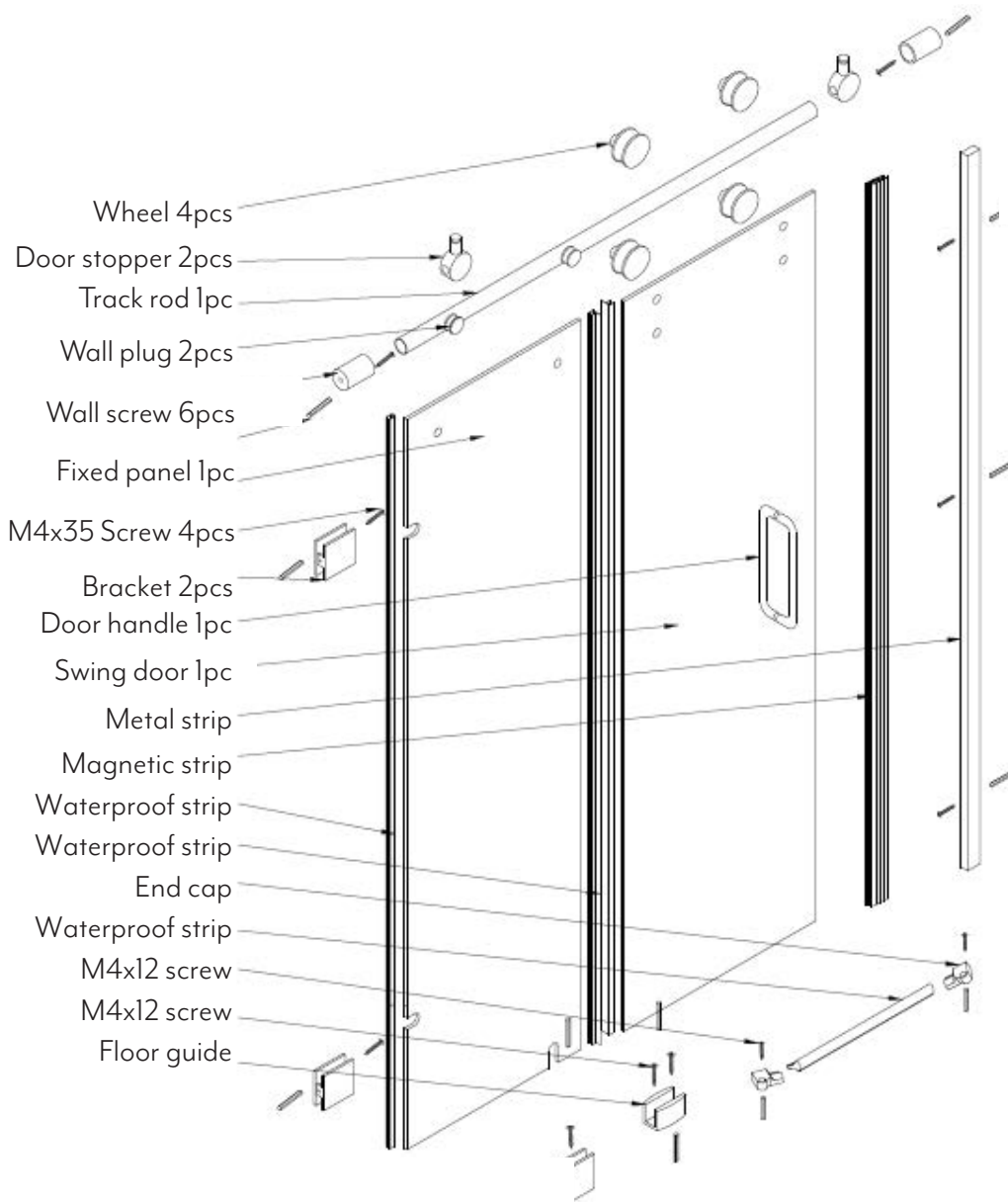




# MGD1 SHOWER DOOR INSTALLATION INSTRUCTIONS

Thank you for choosing our shower enclosure. Before installing, please read these instructions carefully and check if all accessories are available and if any damage occurred during shipping.

For any questions, please contact us directly.



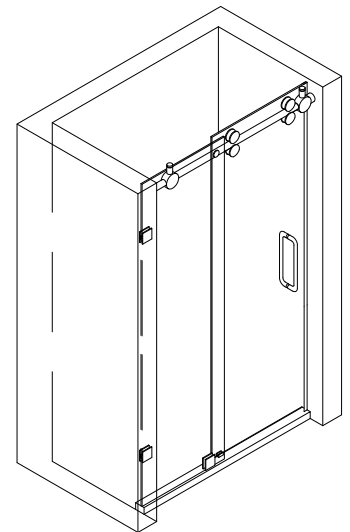
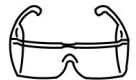
## SAFETY ISSUES

Glass is fragile, handle carefully and avoid hitting rigid objects. Place the glass against the wall in gradient with a soft underlay beneath. We strongly suggest a two-man carry when moving. Do not take off the angle protection until installing.



Wear safety shoes when carrying the glass.

Wear safety glasses when drilling.



### IMPORTANT:

Please note regular hardware adjustment is critical to ensure shower doors continue operating properly.



1

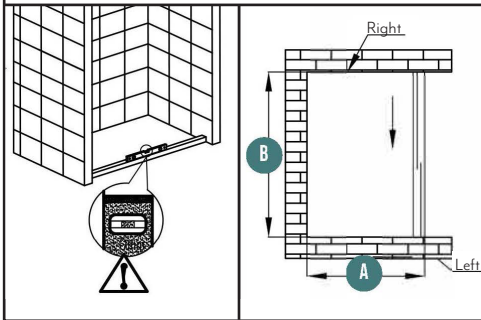
## PRECAUTIONS

1. Clean the work stations and keep the floor dry.
2. To keep the floor dry during installation, do not turn on the faucet.
3. Glass is fragile, so make sure it will not hit any rigid object when installing. Place the glass against the wall in gradient with a soft underlay below.
4. Before drilling, check and make sure no electrical wire or water pipes are hidden in the wall.
5. After installation, collect all of the tools and clean the work station.

2

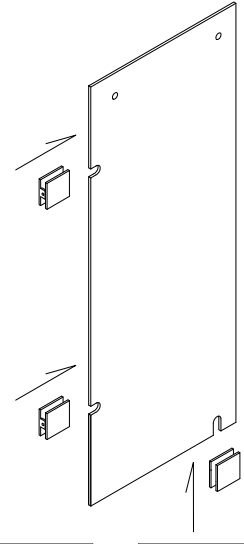
## INSTALLATION & ADJUSTING

1. Place the stone base in the right position.
2. Check the stone base with a level, adjusting the stone horizontal level by increasing gasket or repairing the stone base.



3

Install the fixed bracket on the fixed glass.



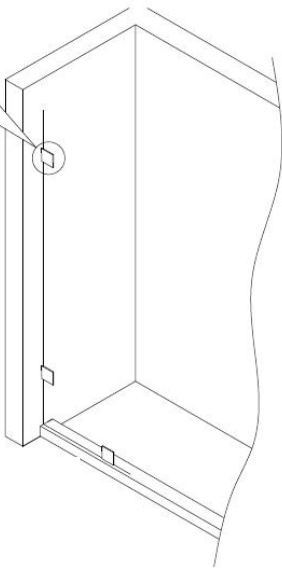
6

Mark the 3 holes with a pencil.

Wear safety glasses when drilling.

After drilling the hole, put the colloidal particles into the hole.

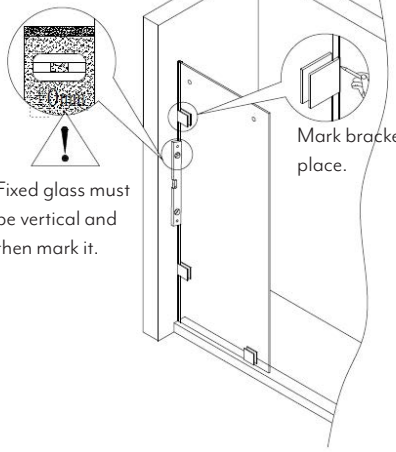
Attach the retaining clamp to the wall with 4x35 screws.



5

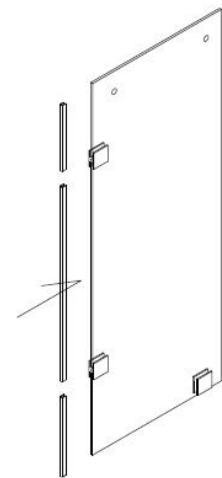
Fixed glass must be vertical and then mark it.

Mark bracket place.



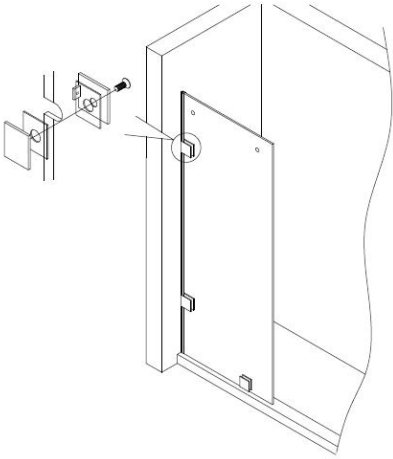
4

Put on the side waterproof strip.



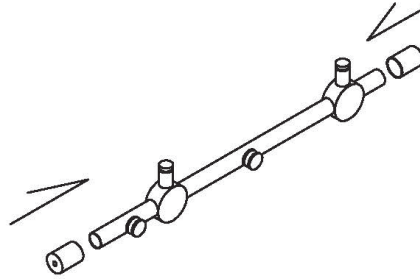
7

Fix the fixed panel by fixed bracket.



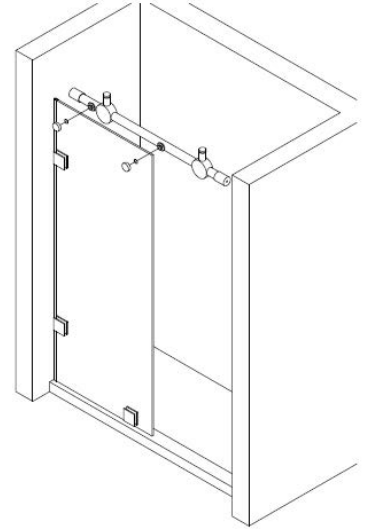
8

Fix wall plugs on two sides of track rod.



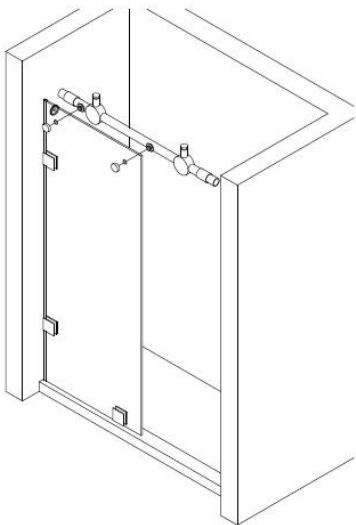
9

Fix the track rod on fixed panel.



12

Put track rod back on fixed panel.



11

Drill the hole at the wall plugs, then install the screw.

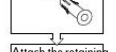
Mark the 3 holes with a pencil.



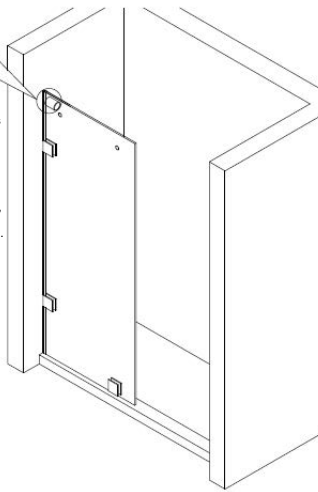
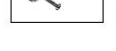
Wear safety glasses when drilling.



After drilling the hole, put the colloidal particles into the hole.

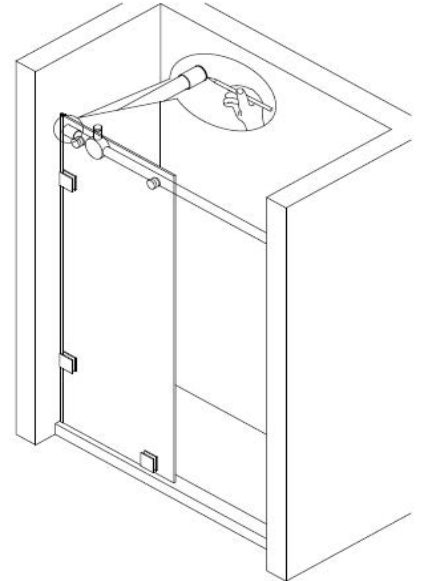


Attach the retaining clamp to the wall with 4x55 screws.



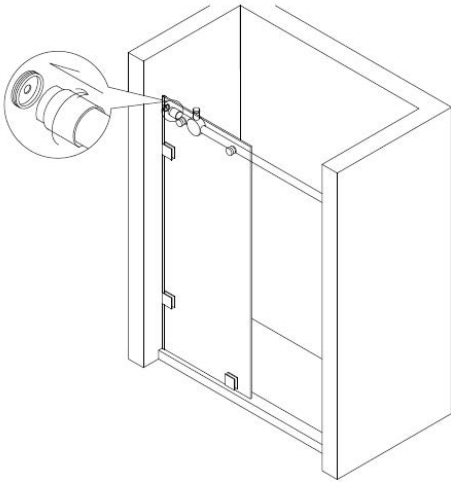
10

Mark place for wall plugs, then take off rod.



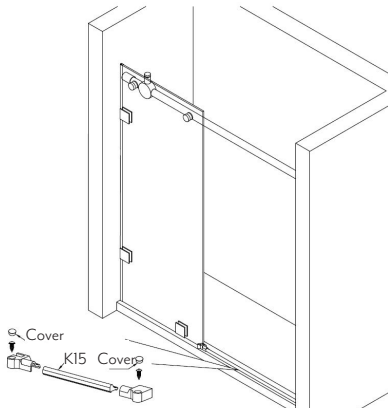
13

Fix the track rod with the wall plugs.



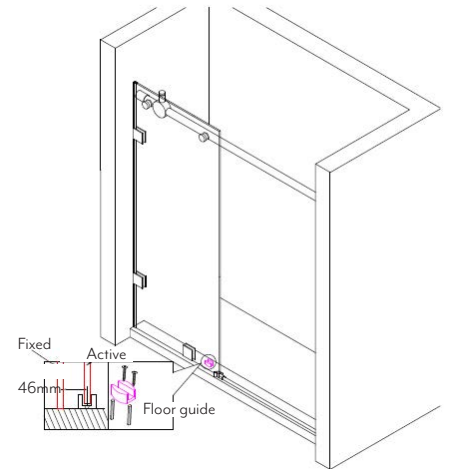
14

Install R angle and K15 at entrance opening between fixed panel and wall.



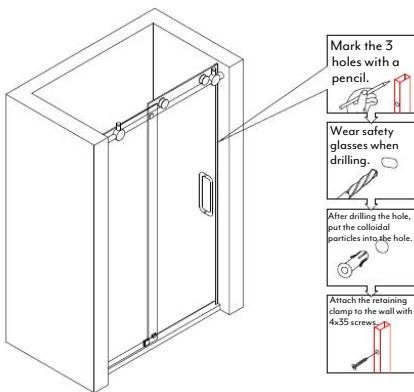
15

Install sliding hardware.



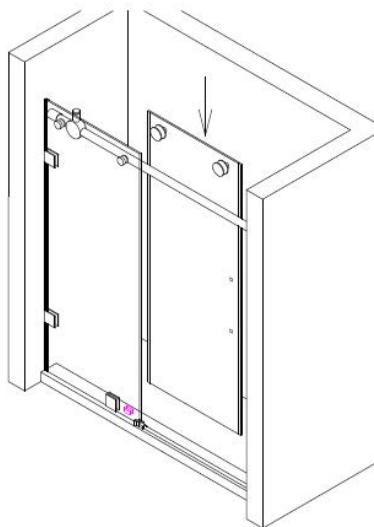
18

Install the magnetic strip.



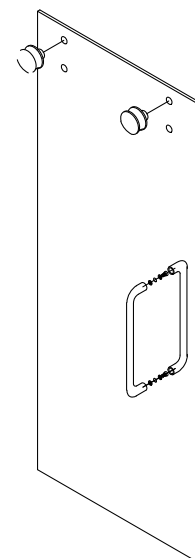
17

Lift the active glass panel and place into sliding hardware.



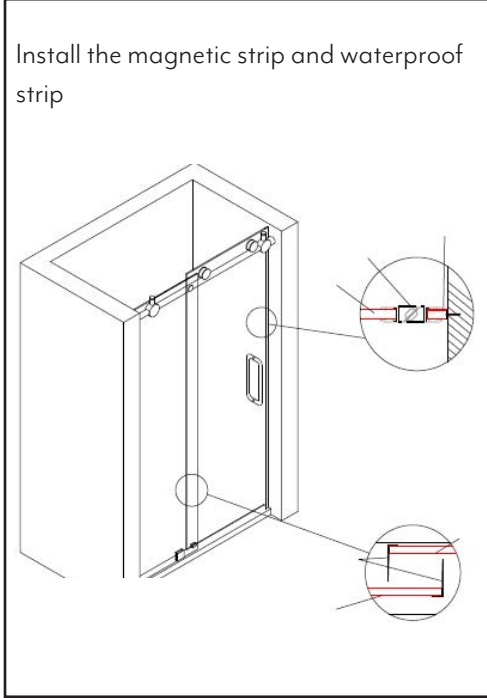
16

Install pulley and handle on the active glass.



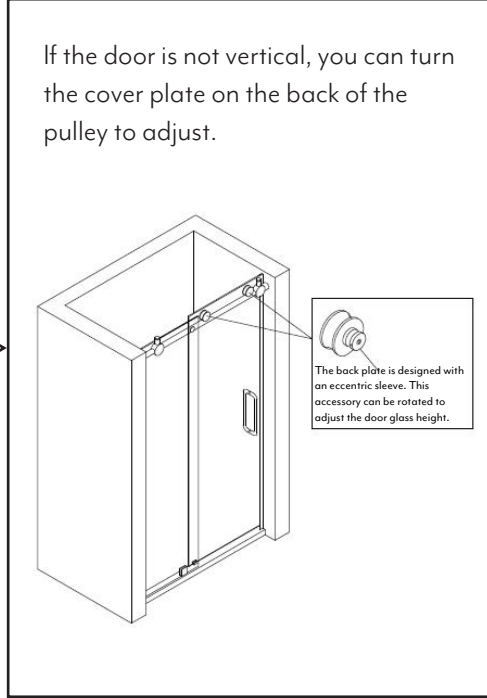
17

Install the magnetic strip and waterproof strip



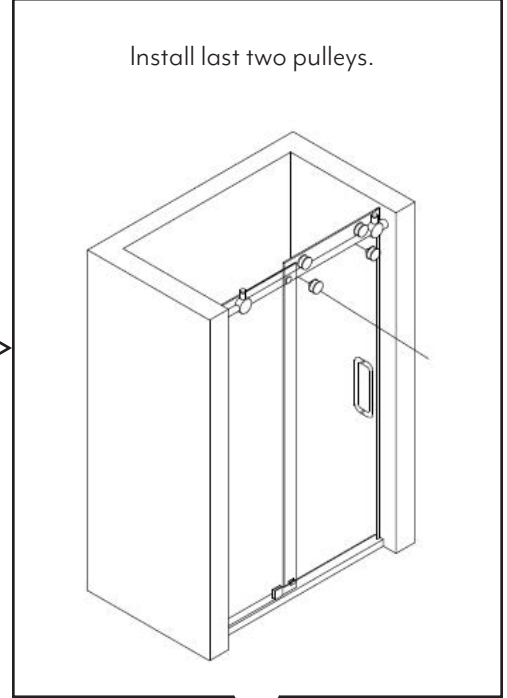
18

If the door is not vertical, you can turn the cover plate on the back of the pulley to adjust.



19

Install last two pulleys.



20

After installation, seal all sides with glass glue. Allow 24 hours to dry completely.

