



# N. AMERICAN SHOWER KITS INSTALLATION INSTRUCTIONS

## WALL PANEL SYSTEM:

### TOOLS AND MATERIALS REQUIRED:

- Electric or Hand Drill, Level (24" min), Pencil, Razor Knife, Caulking Gun, Hole Saw(s), Adjustable Wrench, Screwdrivers (Standard & Phillips), Masking Tape (2" wide), Caulking & Mineral Spirits, Adhesive, and Tape Measure.

### PREPARATION:

- The wall panels may be installed over moisture-resistant drywall, plaster, painted walls, plywood, or existing tile. Wall surfaces must be clean, dry, and free of grease, dust, and loose or flaky paint or plaster. Additional blocking to support optional grab bars and/or seats should be installed prior to panel installation. Refer to each specific accessory installation instruction. Confirm panel installation clearances and accessories comply with local building codes. Plan rough plumbing requirements such as the drain, venting, and supply lines prior to installation. Turn off the water supply and remove any existing bath or shower trim, cover plates, or spouts.

### INSTALLATION:

1. Accurately measure the tub spout and handle(s) hole location on the alcove side wall from the front edge of the bathtub and transfer dimensions to one of the side panels. You may want to make a template to check the hole layout before you cut holes into the side panel. After double-checking your measurements, use the proper size drill or hole saw and cut out holes for outlets.
2. Place the center panel against the back wall, raised slightly above the curb in front of the bathtub tiling flange or shower waterproofing flange. Align center lines using masking tape, and temporarily center the panel in place. Position drilled side panel over the tub/shower spout and handle(s) and ensure to align the front edge with the front edge of the tub/shower pan. Create and maintain reference lines for permanently installing panels. Remove panels.

### PERMANENT INSTALLATION:

3. Apply a 1/8" dia. bead of adhesive to the back side of the Center Panel using a random "zig-zag" pattern. Carefully position the panel on the back wall of the alcove, and align previously marked centerlines and top edge guidelines. Press the panel in place, working from top edge to bottom. "Vent" panel following the procedure described on the adhesive cartridge before proceeding. Install drilled side panel next, and to align the front and top edge guidelines. Follow the same procedure for the remaining side wall.





# N. AMERICAN SHOWER KITS INSTALLATION INSTRUCTIONS

## VENTING METHOD:

4. Apply adhesive to the back side of the panel, align all guidelines, and press the panel firmly to wall compressing the adhesive. Hold in place for approximately 30 seconds, pull the panel away, and wait 4 minutes. Carefully reposition the panel and press firmly into place. To ensure proper adhesion, go over the entire tub surround 20 minutes after all (3) three panels are in place, pressing firmly by hand or tapping with a padded block. Install bracing for at least 24 hours to hold panels in place. Typical installations will require at least one tube of adhesive for back panels and 1/2 tube for side panels
5. Wait approximately 12 hours before applying caulking to the top, bottom, side, and overlap edges. Remember to caulk around the faucet spout and handle hole(s). Follow caulking instructions for clean up of excess caulk. Replace the faucet spout and handle(s), and turn on the water supply to the bathtub alcove. Wait 24 hours before using the tub or shower.

## CARE, CLEANING, AND MAINTENANCE:

- The surface of your walls may be cleaned with a mild soap solution in warm water using a soft cloth. When using a cleaner product, carefully read the label to ensure that the cleaner is safe for use on the material. Do not allow cleaners to sit or soak on the surface. Wipe the surface clean and rinse completely with water immediately after cleaner application. Rinse and dry any overspray on nearby surfaces. Never use abrasive scouring powder or steel wool pads, as they will scratch the surface. A periodic coating of a high-quality marine or automotive polish will help retain the finish.

## INSTALLATION QUESTIONS:

- For questions on installation or missing parts, call customer support for assistance.
- Please have the installation manual available when calling.

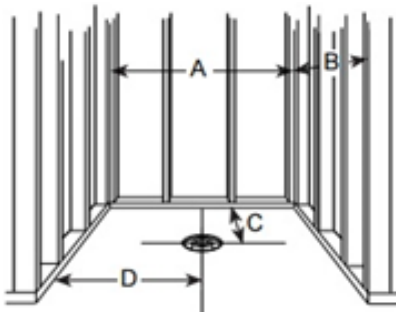


## SHOWER BASE:

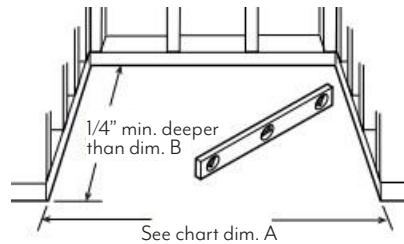
Confirm that all components have been included before starting installation. The floor leveling compound should be used under the shower base if the floor is not perfectly level. A grout/sand bed is required to fully support the underside of the shower pan. Do not screw or bolt the pan to the floor.

## READ BEFORE STARTING:

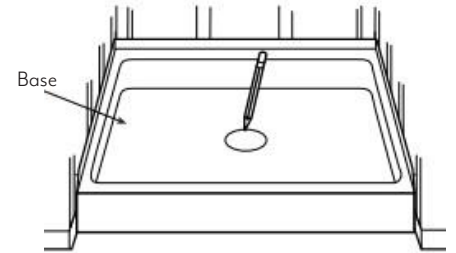
- Shower pans are designed to be installed directly against the wall framing. Prepare walls, floor, and base.
- Then install the shower base.
- Follow the drain manufacturer's instructions for drain installation.



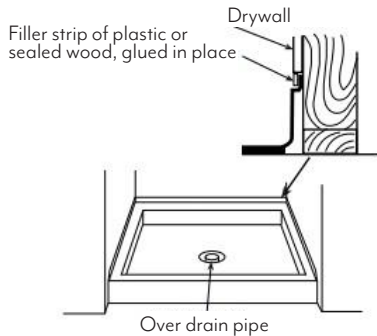
Frame alcove noting base dimensions.



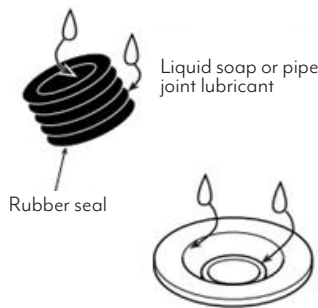
Position base and trace drain location.



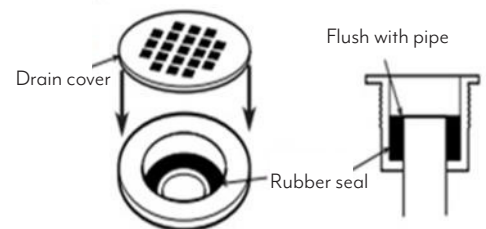
Cut drain access and install drain pipe.  
Pour leveling and grout bed.



Install drywall and filler strip.



Lubricate rubber seal, pipe, and drain,  
then insert and tap down until flush.



Check that seal is flush, then install  
drain cover.

## CARE, CLEANING, AND MAINTENANCE:

- For regular cleaning, use only mild detergents or warm soapy water applied with a soft cloth. Always rinse the surface after cleaning and dry by blotting with a damp cloth or chamois. Do not use scouring pads, gritty cloths, or cleaners that are not recommended. Cleaners not listed are either not approved or are untested. Please choose an approved cleaner from the list. If you have any questions, please call Customer Service.



# N. AMERICAN SHOWER KITS INSTALLATION INSTRUCTIONS

## TRIM STRIPS:

This trim is generally used when cast marble panel systems are being applied on top of existing tile or other previously installed material to cover the gap left by applying the new panel system over the existing material.

## READ BEFORE STARTING:

- Trim strips, as a rule, are manufactured up to 96". The installer should plan to trim each piece to fit the area in which it will be installed. If the shower panels do not extend to the ceiling, the trim should be cut so that the top of the trim is the same height as the panels it will be installed next to. If you require trim longer than 96", it should be ordered in separate pieces and will have to be seamed when installed to reach lengths longer than 96". This trim is designed to fit snugly against the tub/shower enclosure. The panel system should stop flush with the edge of the tub/shower base. If not, the trim will need to be notched to fit tight against the panel. To avoid an unnecessarily large caulk joint between the panel and the trim, install the 1" thick renovation trim strip.

## TOOLS AND MATERIALS REQUIRED:

- Circular Saw with a Masonry Blade, Measuring Tape, Pencil, Speed Square or Framing Square, 100% Silicone for Marble to Marble Seams (color matched for the marble) if necessary, Latex Caulk for Marble to Drywall Seams, Clean, Dry Cloths to Clean Trim and Wipe Caulking, Construction Adhesive for Adhering Trim to the Wall, and Hot Melt Glue Gun and Glue Sticks.

## INSTALLATION:

1. Measure the height of the area where the trim is to be installed. You may need to notch the trim around the base tile if it is already set.
2. Cut the trim to fit. Sand the cut edges of the trim with 80-grit sandpaper to avoid cutting hands during installation and while caulking the trim.
3. Apply construction adhesive to the back of the trim and install the threshold. Note: you may want to use a small amount of hot melt glue to help hold the trim in place until the adhesive has time to set.
4. Caulk with appropriate color latex or acrylic caulk around the edges of the trim, where marble meets drywall or painted or wallpapered walls. Use 100% silicone, color matched to the marble, to seal tub/shower base seams.





# N. AMERICAN SHOWER KITS INSTALLATION INSTRUCTIONS

## ACCESSORY LEDGE OPTION 1 WITH WOOD BLOCKING:

### READ BEFORE STARTING:

- In preparation, before installing this accessories ledge, you will need to have completed the installation of the panel system and sealed the seams of the shower where the ledge is to be installed with 100% silicone.

### TOOLS AND MATERIALS REQUIRED:

- Circular Saw with a Masonry Blade, Measuring Tape, Pencil, Speed Square or Framing Square, 100% Silicone for Marble to Marble Seams (color matched for the marble) if necessary, Latex Caulk for Marble to Drywall Seams, Clean, Dry Cloths to Clean Trim and Wipe Caulking, Construction Adhesive for Adhering Trim to the Wall, Hot Melt Glue Gun and Glue Sticks, and Standoff Mounting Tube (Not Included).
- In-wall blocking is required.

### INSTALLATION:

1. The installer should measure from the trimmed end of the ledge to the first hole and then mark the first hole that distance from the back wall, keeping the hole centered, then measure from the unfinished end to the second hole and mark that hole that distance from the back wall, keeping the hole centered.
2. Pre-drill the holes for the mounting hardware using the 3/16" masonry drill bit and the corded drill.
3. Apply 100% Silicone to the back of the ledge and into the holes where the 3" Truss head screws will go. Firmly press the accessories ledge against the wall and screw the accessories ledge into place.
4. Be sure to immediately clean up any silicone that may have squeezed out from behind the ledge. A clean, dry cloth should be all that is needed, but acetone or mineral spirits can be used on a rag to clean up the excess silicone.
5. Once the ledge is securely in place, seal around the entire perimeter of the ledge to the wall with color-matching 100% silicone.

### NOTE (FOR BOTH OPTIONS):

- The accessories ledge should remain in place for a minimum of 48 hours to allow the silicone to cure before weight is applied. Absolutely NO weight should be applied during the first 48 hours as this will weaken the silicone bond. If the ledge is used before the allotted 48 hours, all warranties will be void.
- If the prescribed method of installation is not followed precisely, the accessories ledge may detach from the wall and cause damage to the panels and the walls. If the shower is occupied and the ledge detaches, physical injury to the occupant can occur.





# N. AMERICAN SHOWER KITS INSTALLATION INSTRUCTIONS

## ACCESSORY LEDGE OPTION 2 WITHOUT WOOD BLOCKING:

### READ BEFORE STARTING:

- In preparation, before installing this accessories ledge, you will need to have completed the installation of the panel system and sealed the seams of the shower where the ledge is to be installed with 100% silicone.

### TOOLS AND MATERIALS REQUIRED:

- Drill, preferably corded, for drilling holes, 3/16" Masonry Drill Bit, Pencil, Measuring tape, 100% Silicone for Marble to Marble Seams (color matched for the marble) if necessary, Clean, Dry Cloths for the Accessory Ledge and the Wall, Phillips Head Screwdriver to Tighten Screws when Attaching Standoff Mounting Tubes, 2- WingIt MAW35-SD Fasteners and 2- Standoff Tubes (Not Included), and Either a WingIt apache 200 Drill Bit p/n# or a 3/4 Hole Saw for Drilling Holes for MAW35-SD Master WingIt (Not Included).
- In-wall blocking is required.

### INSTALLATION:

1. The installer should measure from the trimmed end of the ledge to the first hole and then mark the first hole that distance from the back wall, keeping the hole centered, then measure from the unfinished end to the second hole and mark that hole that distance from the back wall, keeping the hole centered.
2. Pre-drill the holes for the mounting hardware using the 3/16" masonry drill bit and the corded drill.
3. Insert an "L" shaped wire. Twirl the wire and make sure you don't hit an obstruction. If you do hit a wall stud, you can move the hole location either forward or backward up to an inch, and the ledge will still cover the other holes.
4. Assemble the mounting hardware.
5. Install the WingIt Model # MAW35-SD as per the instructions accompanying the WingIts package. Make sure to tighten the screw securely, as this assembly supports most of the weight of the ledge and anything placed on it.
6. Apply 100% silicone to the back of the ledge and into the hole that will receive the mounting hardware.
7. Carefully align the holes and slide the ledge onto the mounting hardware. Apply even pressure and ensure the back of the ledge is pressed completely against the wall.
8. Be sure to immediately clean up any silicone that may have squeezed out from behind the ledge. A clean, dry cloth should be all that is needed, but acetone or mineral spirits can be used on a rag to clean up the excess silicone.
9. Once the ledge is securely in place, seal around the entire perimeter of the ledge to the wall with color-matching 100% silicone.





# N. AMERICAN SHOWER KITS INSTALLATION INSTRUCTIONS

## CORNER SOAP DISH:

### READ BEFORE STARTING:

- These installation instructions have been written for Cast Marble Mount Soap Dish. If you have received a different product than shown, please contact our office so we can send the proper instructions to you. In preparation, before installing the soap dish, you will need to have completed the installation of the panel system and sealed the seams of the shower panels behind where the soap dish is to be installed with 100% silicone.
- Two types of adhesive are needed to install the soap dish because they serve different purposes. The hot melt glue bonds immediately but will not hold for more than a few days. The silicone takes a few hours to cure, but after curing, they will secure the soap dish.

### TOOLS AND MATERIALS REQUIRED:

- Torpedo Level, Silicone 100% and Caulk Gun, Hot Melt Glue, Hot Melt Glue Gun, Acetone, and Pencil.

### INSTALLATION:

1. After determining the location of the soap dish, use the acetone to thoroughly clean the back of the soap dish and the wall where it is to be installed. Hold the soap dish against the wall in the area to be installed. Check the level with the torpedo level. Adjust the soap dish as necessary to get the flat part of the soap dish level. Mark along the edge of the soap dish with your pencil on the wall. This will give you a reference line to use to keep it level while being glued to the wall.
2. Apply silicone to the cleaned back of the soap dish. Only a small “daub” of silicone is necessary. Place the silicone toward the outer edges. Apply a small amount of hot melt glue in the middle of the back of the soap dish. It is important that the two different adhesives do not mix because they do not work well together when mixed. Once the hot melt glue has been applied, the soap dish must be installed immediately. Otherwise, the hot melt glue will cool. If that happens, scrape the hot melt glue off and reapply.
3. Any excess silicone and hot melt glue can be cleaned up after installation. The earlier it is cleaned, the easier it is to remove. Also, using a clean cloth rag and acetone, clean the pencil lines from the panel.

### NOTE (FOR SOAP DISH AND SHAMPOO SHELF):

- Please use acetone only. Denatured alcohol or other water-based cleaners are not acceptable. If you do not have acetone, wiping with a clean, dry rag is an acceptable alternative. If you have any questions, please call Customer Service.



### SHAMPOO SHELF 7"X7":

#### READ BEFORE STARTING:

- These installation instructions have been written for your Cast Marble Shampoo Shelf. If you have received a different product than shown, please contact our office so we can send the proper instructions to you. In preparation, before installing the shampoo shelf, you will need to have completed the installation of the panel system and sealed the seams of the shower panels behind where the soap dish is to be installed with 100% silicone.
- Two types of adhesive are needed to install the shampoo shelf because they serve different purposes. The hot melt glue bonds immediately but will not hold the shampoo shelf for more than a few days. The silicone takes a few hours to cure, but after curing, they will secure the shampoo shelf.

#### TOOLS AND MATERIALS REQUIRED:

- Torpedo Level, Silicone 100% and Caulk Gun, Hot Melt Glue, Hot Melt Glue Gun, Acetone, and Pencil.

#### INSTALLATION:

1. First, you will need to determine the location of the shampoo shelf. Once determined, make a mark with your pencil on the panel. This will be the height to the top of the shampoo shelf.
2. After determining the correct height for the shelf, use the acetone to thoroughly clean the back of the shampoo shelf and the wall where it is to be installed.
3. Using the torpedo level, lightly make a level line to the corner, going onto the adjacent wall with the mark.
4. The 5 ¼" wide support should be installed first. Apply silicone to the clean back of the support; only a small amount is necessary. Place the silicone toward the outer edges of the supports. Then apply a small amount of hot glue to the middle of the back of the supports.
  - NOTE: It is important that the two different adhesives DO NOT mix. Once the hot melt glue has been applied, the supports need to be installed immediately. If they are not and your hot melt glue cools, the glue will need to be scraped off and re-applied.
5. The 5" wide support should be installed next, following the same procedure used to install the 5 ½" support.
6. Apply a bead of silicone to the back sides of the shampoo shelf, and then put several dots of hot glue around the silicone, ensuring the two adhesives don't mix. Next, press the shampoo shelf firmly into the corner, against the walls, hold for 30 seconds, then wipe away any excess coming from behind the shampoo shelf. Using 100% silicone, color-matched for the cast marble, seal around the shampoo shelf once the installation is complete
7. Using a clean rag or cloth, wipe off the pencil lines and any excess silicone.