

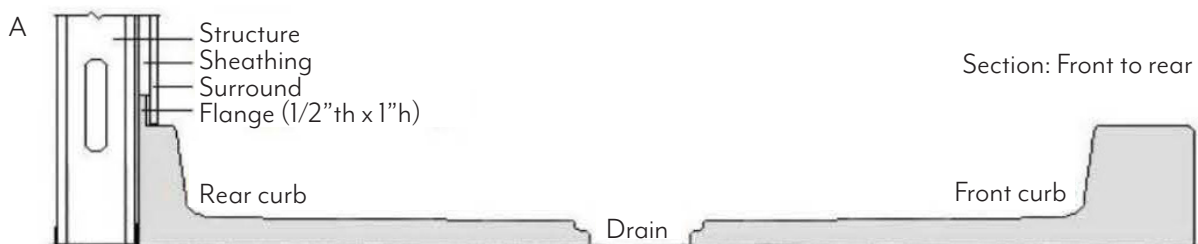
CAST POLYMER AND MODIFIED ACRYLIC SHOWER PANS:

PRECAUTIONS:

- Mshower pans are pre-leveled at the factory and are inspected before leaving the factory.
- Before installation, ensure the subfloor is level, remembering most floors are not level. If the floor is more than 1/32" out of level, float the floor with mortar or a grout bed and permit the material to dry before installation. Shims may be used to level the pans to prevent any rocking. Before installation, secure the shims in place with silicone or mortar bed.
- For renovation projects, a mortar bed is strongly recommended.
- The floor must be completely free of dust, debris, and imperfections in the subfloor before setting the pan, especially when installing without a mortar bed. Any imperfections under the pan can result in cracking.
- The shower pan should be securely transported by lifting it from the bottom of the pan. Lifting with the flanges will result in damage.

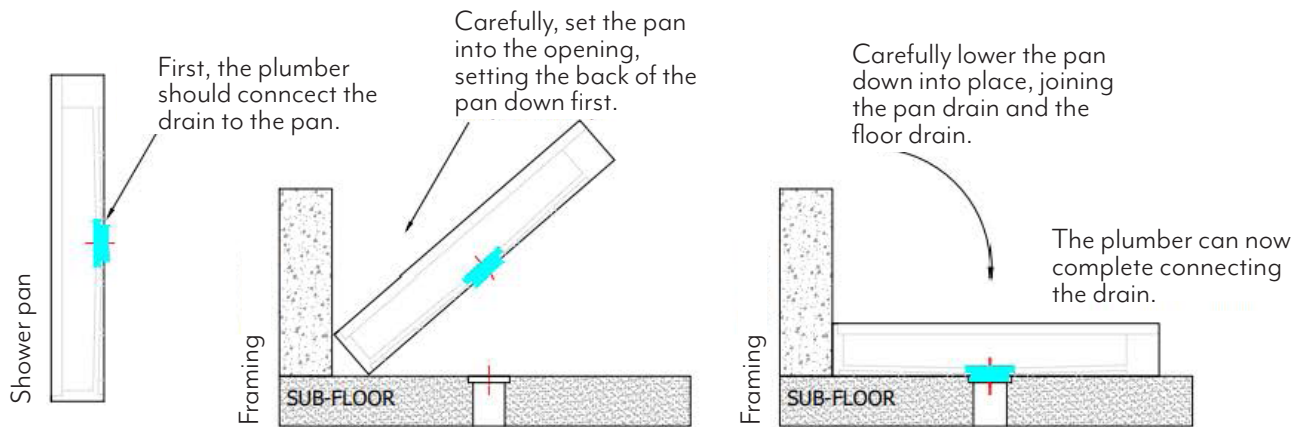
STANDARD INSTALLATION:

- Mshower does not supply shower drains. Use of a UPC-listed shower drain is required that meets ASME A112.18.2/ CSA B125.2 specifications. Follow all applicable local, state, and federal plumbing codes. Mshower is not responsible for drain selection.
- Mshower does not install shower pans. A licensed plumber is required to set shower pans and make the drain connection.
- Before placing the pan, connect the top pieces of the drain to the shower pan.
- The pan should be placed against the framing before the wall substrate is installed. (A)
- Wall substrate should be installed no closer than 1/4" above the pan flanges.
- For fire-rated installation, install a fire-rated wall substrate between the framing and pan.
- Secure the shower pan in place with either a mortar bed or with silicone applied to the bottom of the pans. On models with ribs on the bottom of the pan, apply a bead of silicone evenly on the ribs. Allow 24-48 hours for the silicone to set before use.
- Optional: use silicone or construction adhesive and shims to secure the side walls to the building framing.

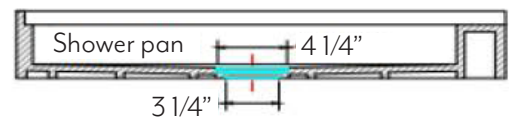


STANDARD INSTALLATION (CONT):

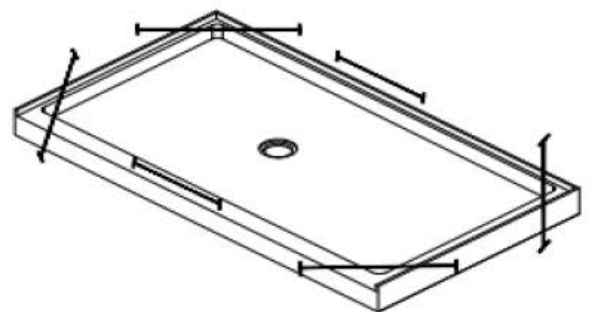
- For trench drain models, simply place the drain cover into place to complete installation.
 - A specialty tool is required to remove the trench drain cover to prevent guest removal and for routine maintenance of the drain assembly below.
- While construction is in progress, protect the installed shower pan from scratching and damage with a drop cloth, cardboard, or a protective coating.



Substrate material (sheetrock, etc.) should not be installed until after the plumber has connected the plumbing to the pan.



After setting the pan in place, you must check it on all four corners and diagonally in each direction for level. Shim all necessary areas to level the pan to make sure it does not move or rock at all.



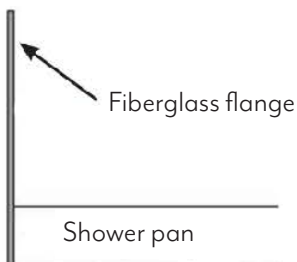
ROLL-IN SHOWER PANS:

PRECAUTIONS:

- For Roll-In shower pans, we recommend a 1.5" slab depression. A typical roll-in pan is 1 ¼" thick.
- If no slab depression is present, built-up tile or an approach ramp is required. Consult local and national requirements to confirm ADA compliance with the ramp angle. Mshower is not responsible for ADA compliance installations.
- Mshower highly recommends a grout bed for roll-in pans.
- Mshower pans are pre-leveled at the factory and are inspected before leaving the factory.
- Before installation, ensure the subfloor is level, remembering most floors are not level. If the floor is more than 1/32" out of level, float the floor with mortar or a grout bed and permit the material to dry before installation. Shims may be used to level the pans to prevent any rocking. Before installation, secure the shims in place with silicone or mortar bed.
- For renovation projects, a mortar bed is strongly recommended.
- The floor must be completely free of dust, debris, and imperfections in the subfloor before setting the pan, especially when installing without a mortar bed. Any imperfections under the pan can result in cracking.
- The shower pan should be securely transported by lifting it from the bottom of the pan. Lifting with the flanges will result in damage.

ATTACH FLANGES:

- Fiberglass flanges are provided unattached from the factory
- Using two-part epoxy adhesive (JB Weld ClearWeld Quick Set Epoxy OR similar) to attach the fiberglass flanges to the sides of the shower pan
- Further, waterproof the seam between the flange and shower pan using 100% silicone.
- Do not handle the shower pan using the attached flanges.

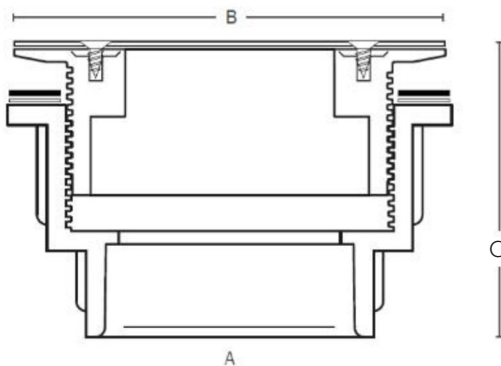


STANDARD INSTALLATION:

- Follow standard pan installation processes.

SHOWER PAN DRAIN REQUIREMENTS:

- All Mshower shower pans are designed to be compatible with the Sioux Chief 825-2 series drains. This model is a two-piece drain that has coordinated dimensions with the Mshower waste fitting. Many other drain manufacturers and models fit the waste fitting of Mshower pans. If another drain is selected, please test the fit. Ensure the drain is UPC listed and complies with local, state, and federal plumbing codes and ASME A112.18.2/ CSA B125.2.
- We recommend the Sioux Chief 825-2P. Correct and properly installed drains are sufficient to drain showers with inputs up to 7 gallons per minute with the supplied strainer. This drain is designed in accordance with ASME A112.18.2/ CSA B125.2. Decorative trench drain covers have at least 3.14 in² of drain area to prevent draining restriction.
- Mshower guarantees that this drain -unobstructed, installed correctly, and operating properly- is sufficient to drain Mshower shower pans up to 7 gallons per minute inputs.
- Mshower does not supply shower drains.



825-2P

• Dimensions:

- A: Connection - 1 1/2" hub x 2" spgt. or 2" hub
- B: Top diameter - 4 1/4"
- C: Adjustable Height - 2 1/2" - 3 1/4"